

Transport Networks Evolution & Cloud Centricity

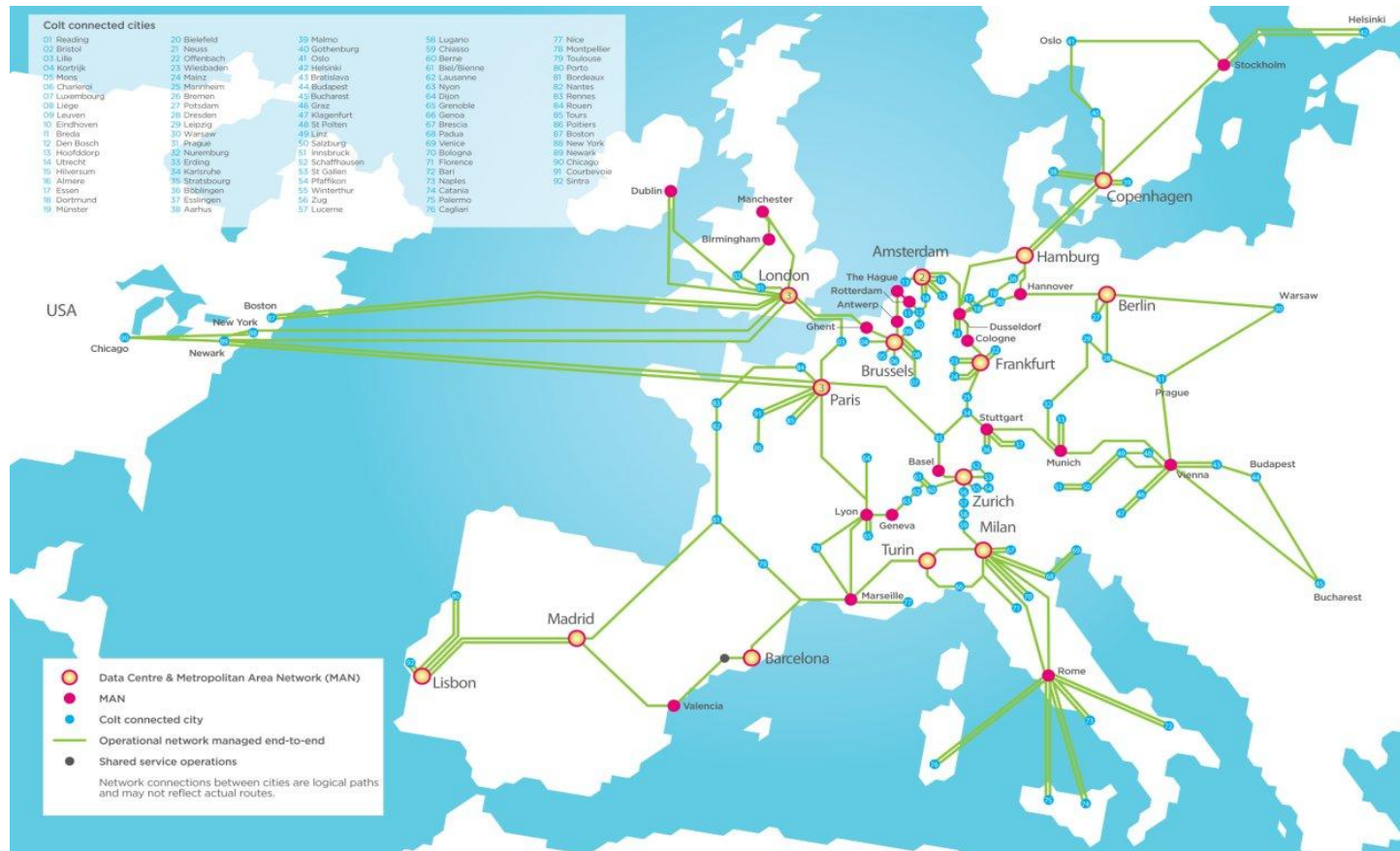
Nicolas Fischbach
Director, Network Strategy and Architecture

colt

smarter / faster / further



Colt – Europe’s Information Delivery Platform



21-country 35000km network, 39 metro networks and 80+ connected cities
 19 data centres – 18000 connected buildings – 35000+ customers

Network (r)evolution: bridging the chasm(s)

Telco people:

“We love our hardware”

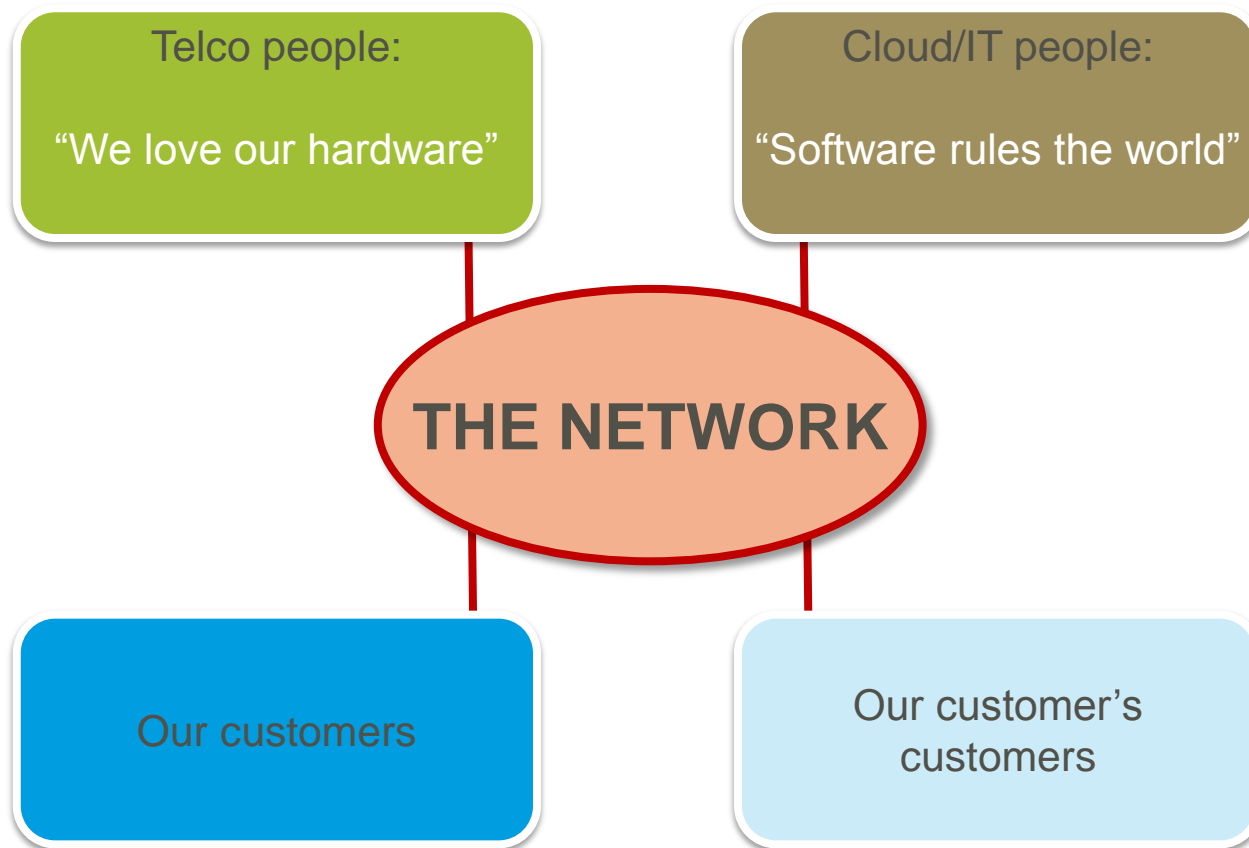
Cloud/IT people:

“Software rules the world”

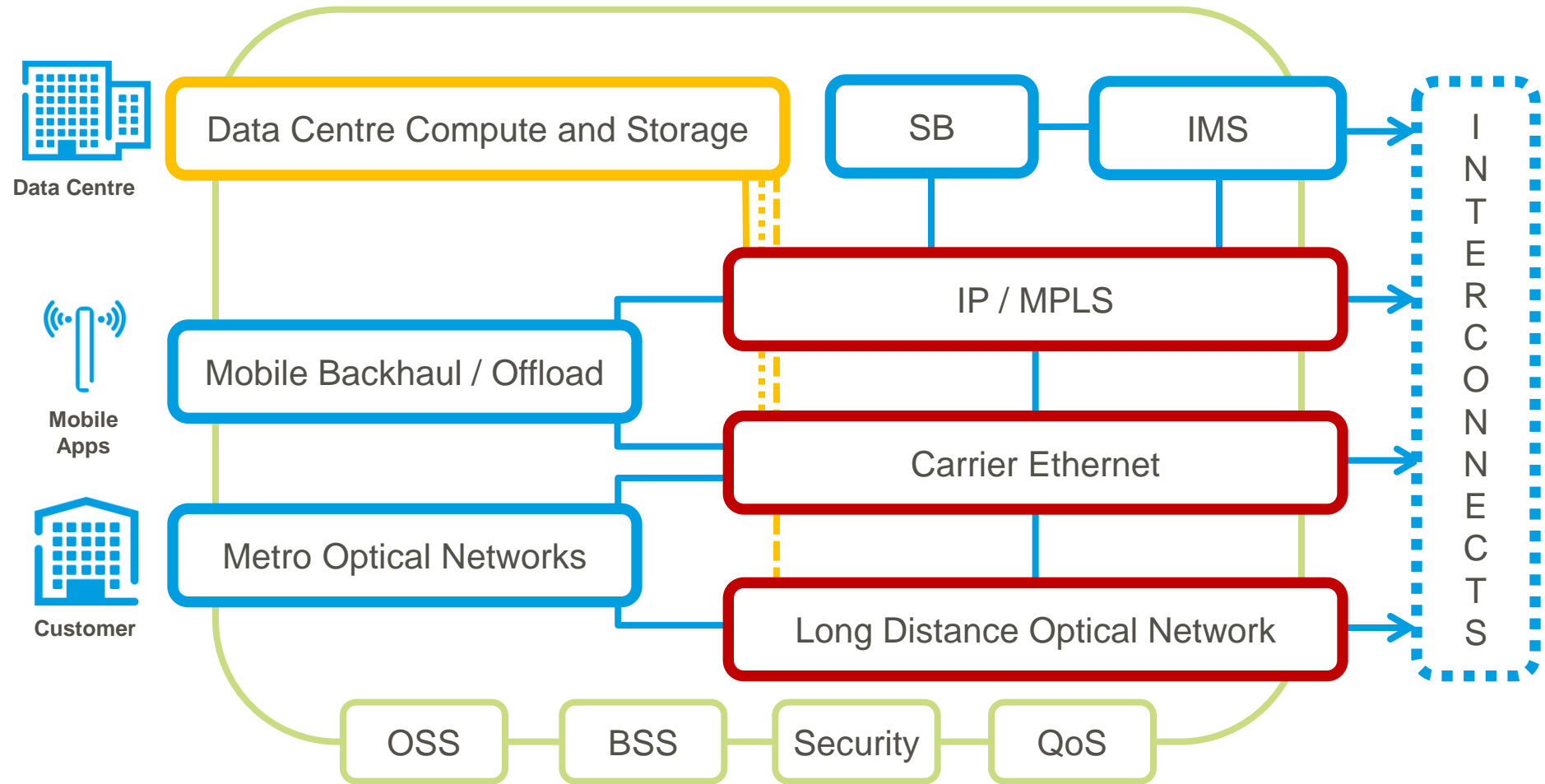
Our customers

Our customer's
customers

Network (r)evolution: bridging the chasm(s)



Network (r)evolution: bridging the chasm(s)



Modular MSP / Carrier Ethernet

Network Layer Integration

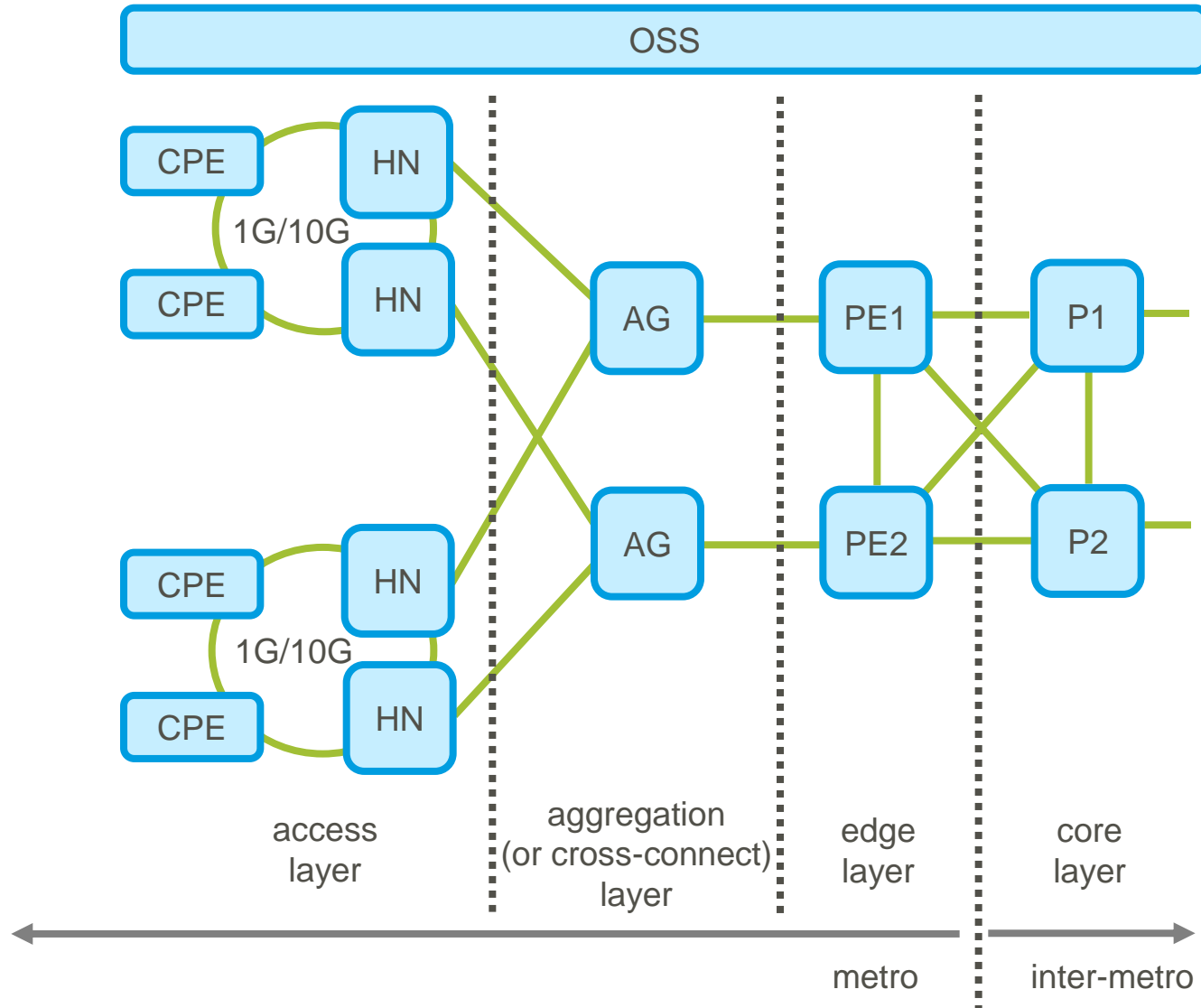
Cloud Centric Network

Modular MSP / Carrier Ethernet

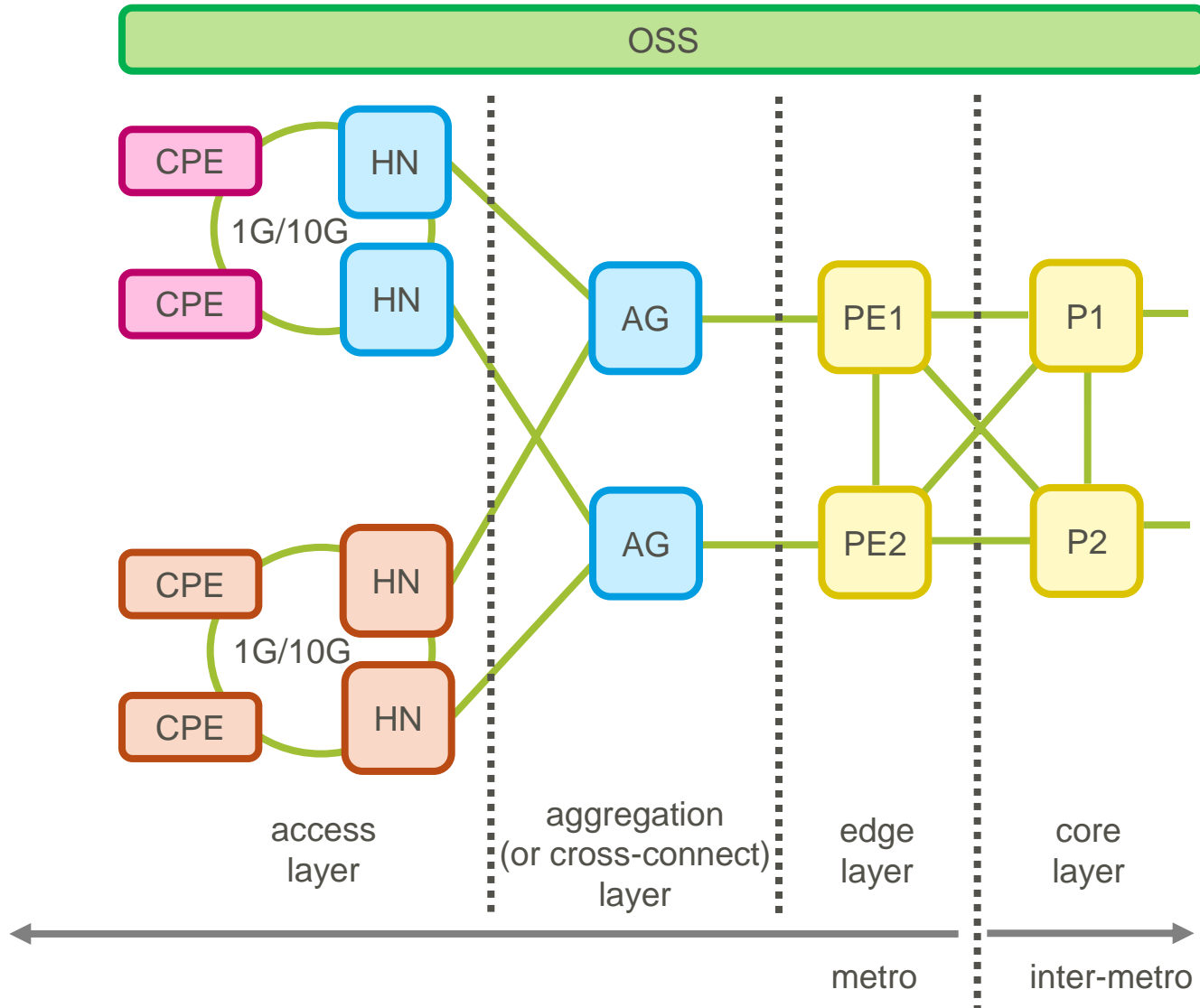
Network Layer Integration

Cloud Centric Network

Modular MSP / Carrier Ethernet



Modular MSP / Carrier Ethernet

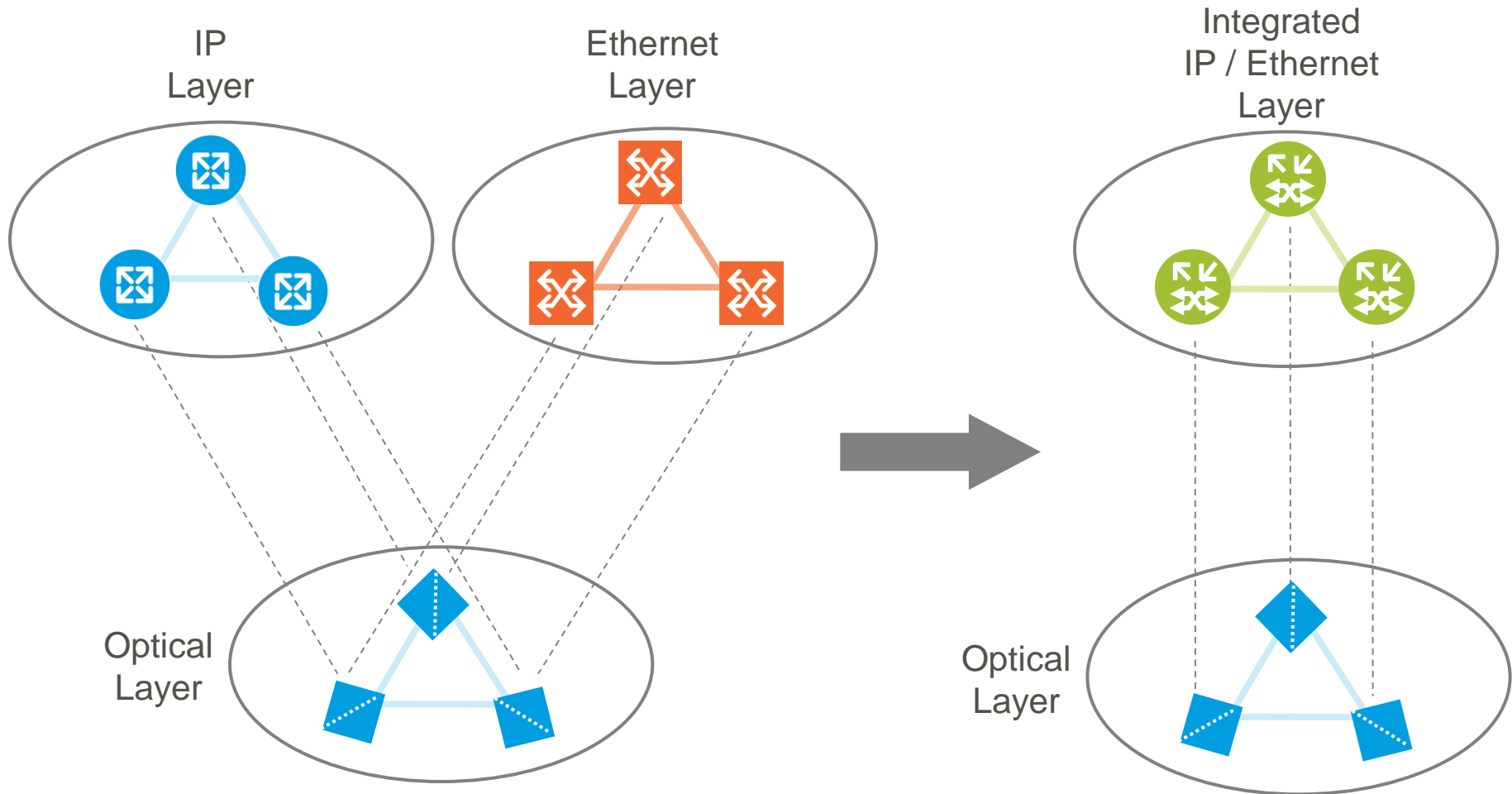


Modular MSP / Carrier Ethernet

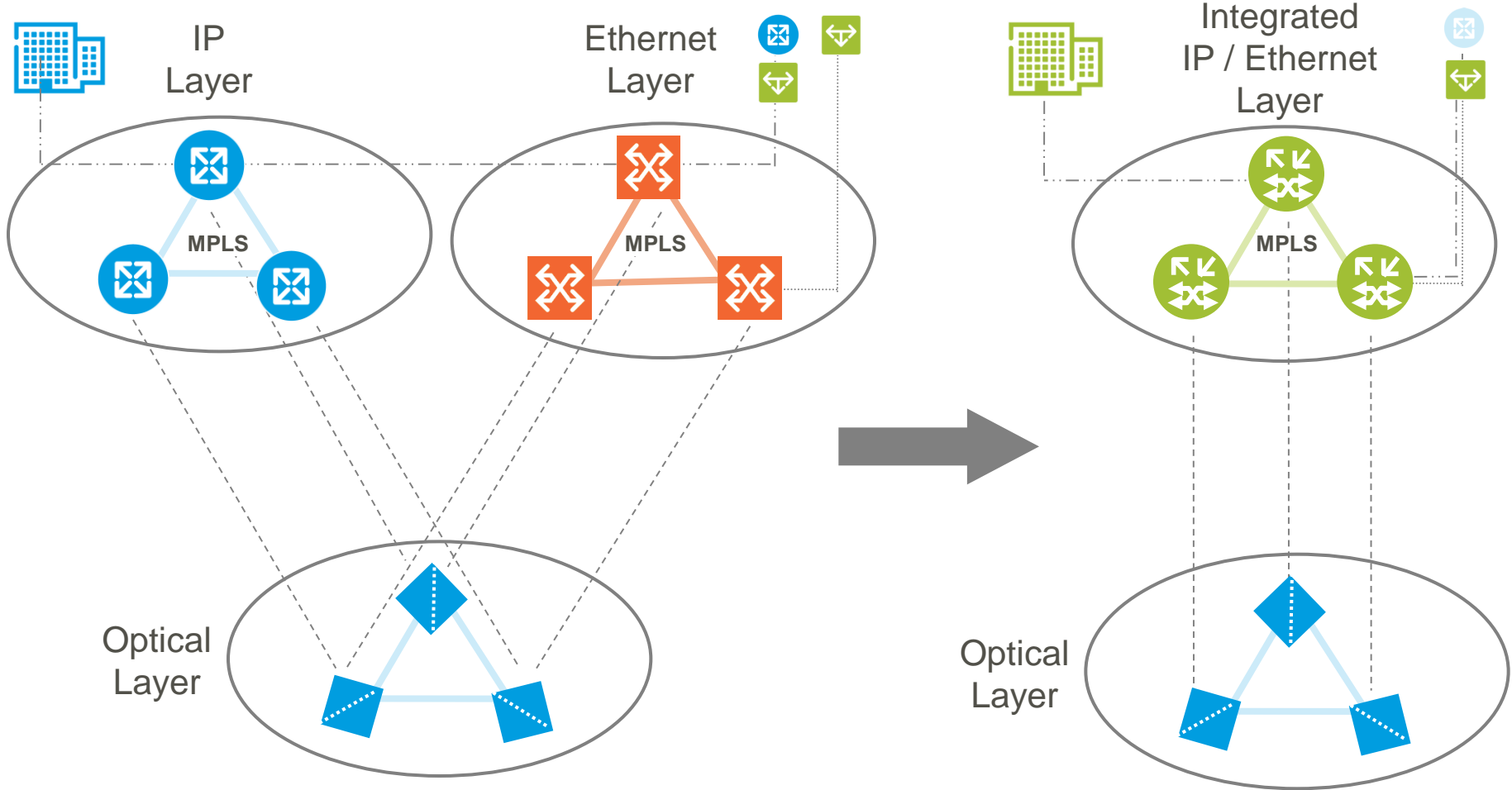
Network Layer Integration

Cloud Centric Network



Network Layer Integration





Network Layer Integration

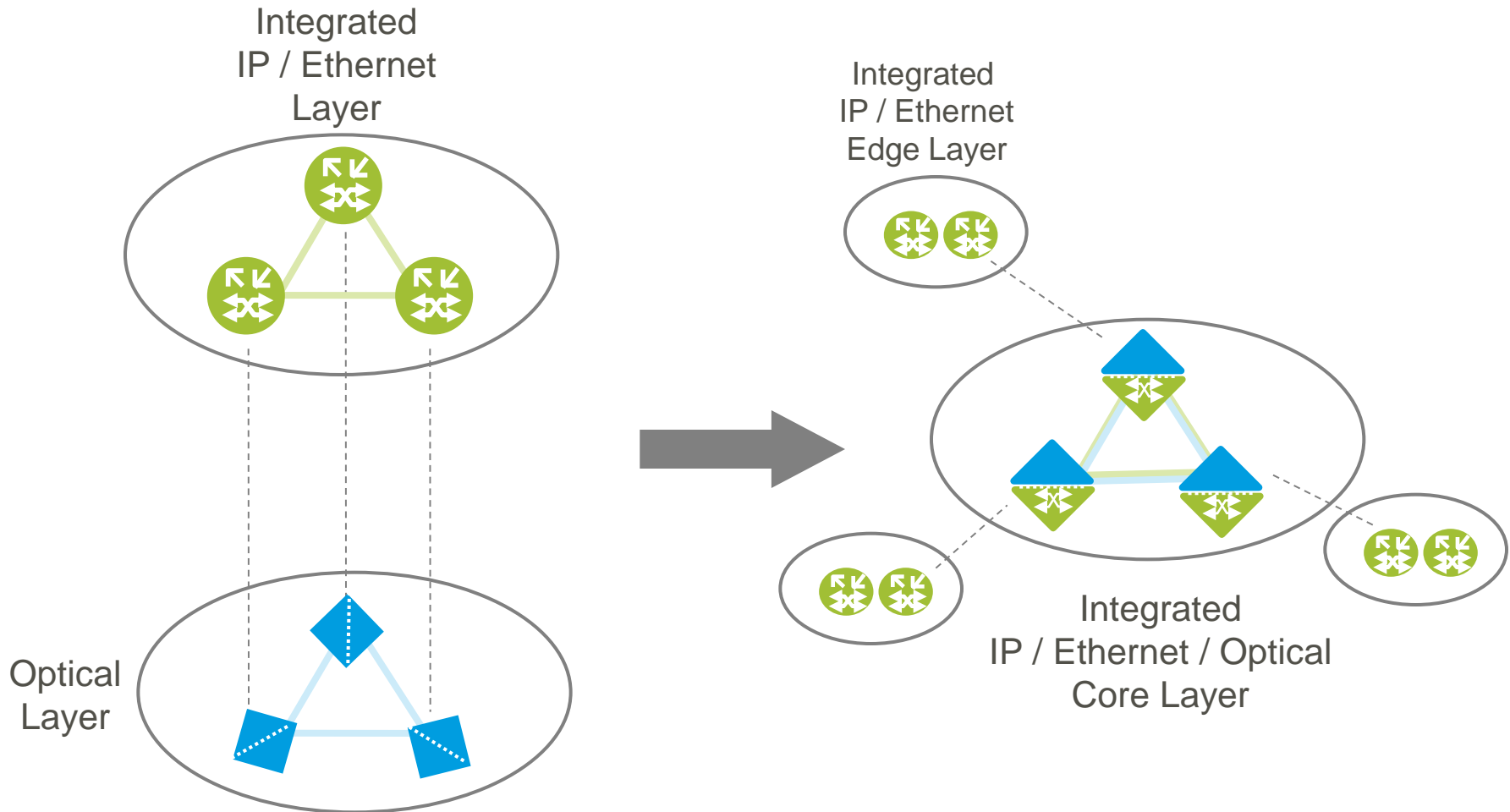


- IP services over Ethernet access (Metro)
- Ethernet services (Metro)
- Transport (Regional/Long distance)

 IP services
 require two CPEs

 Most services (incl. IP)
 require a single CPE

Network Layer Integration

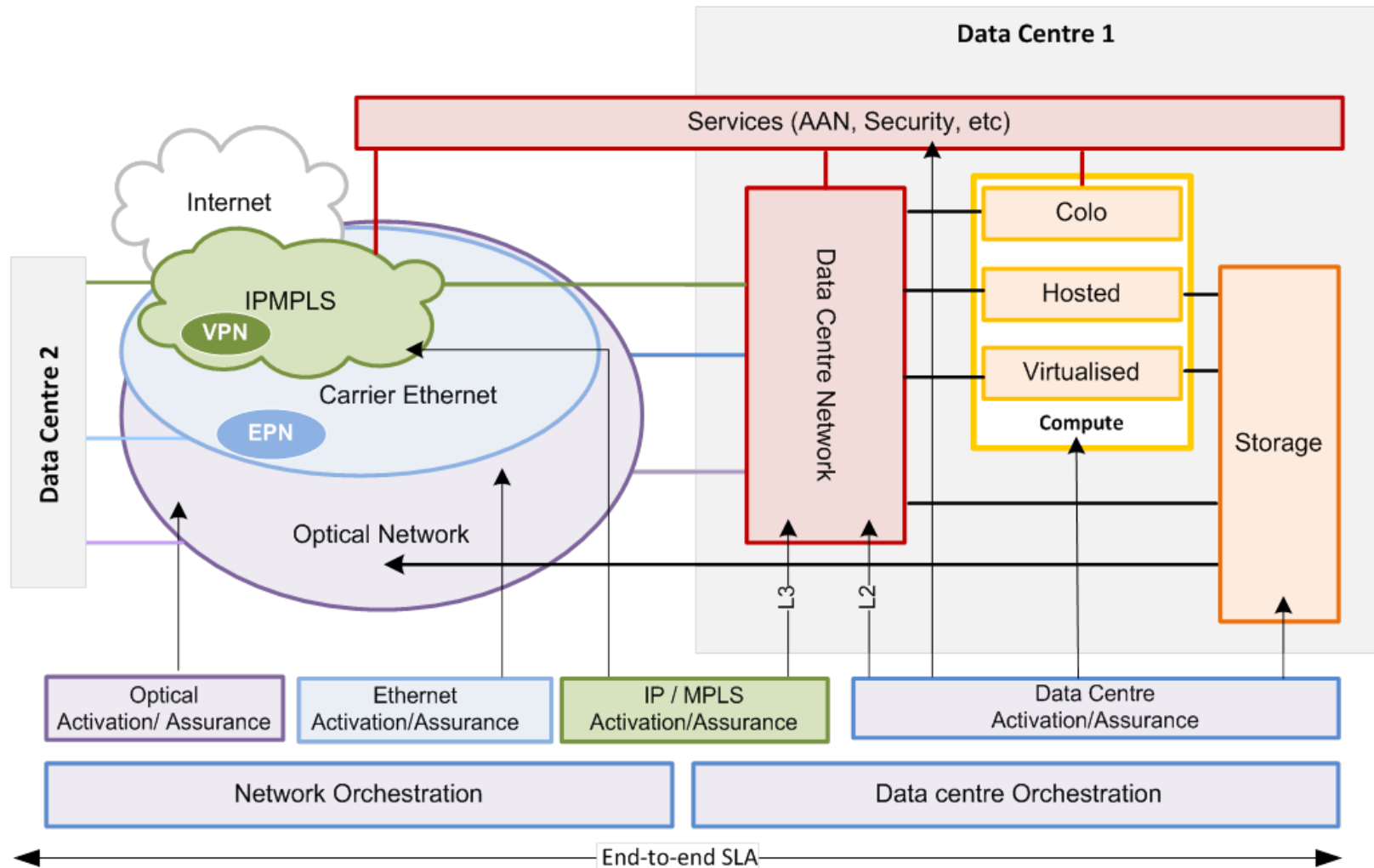


Modular MSP / Carrier Ethernet

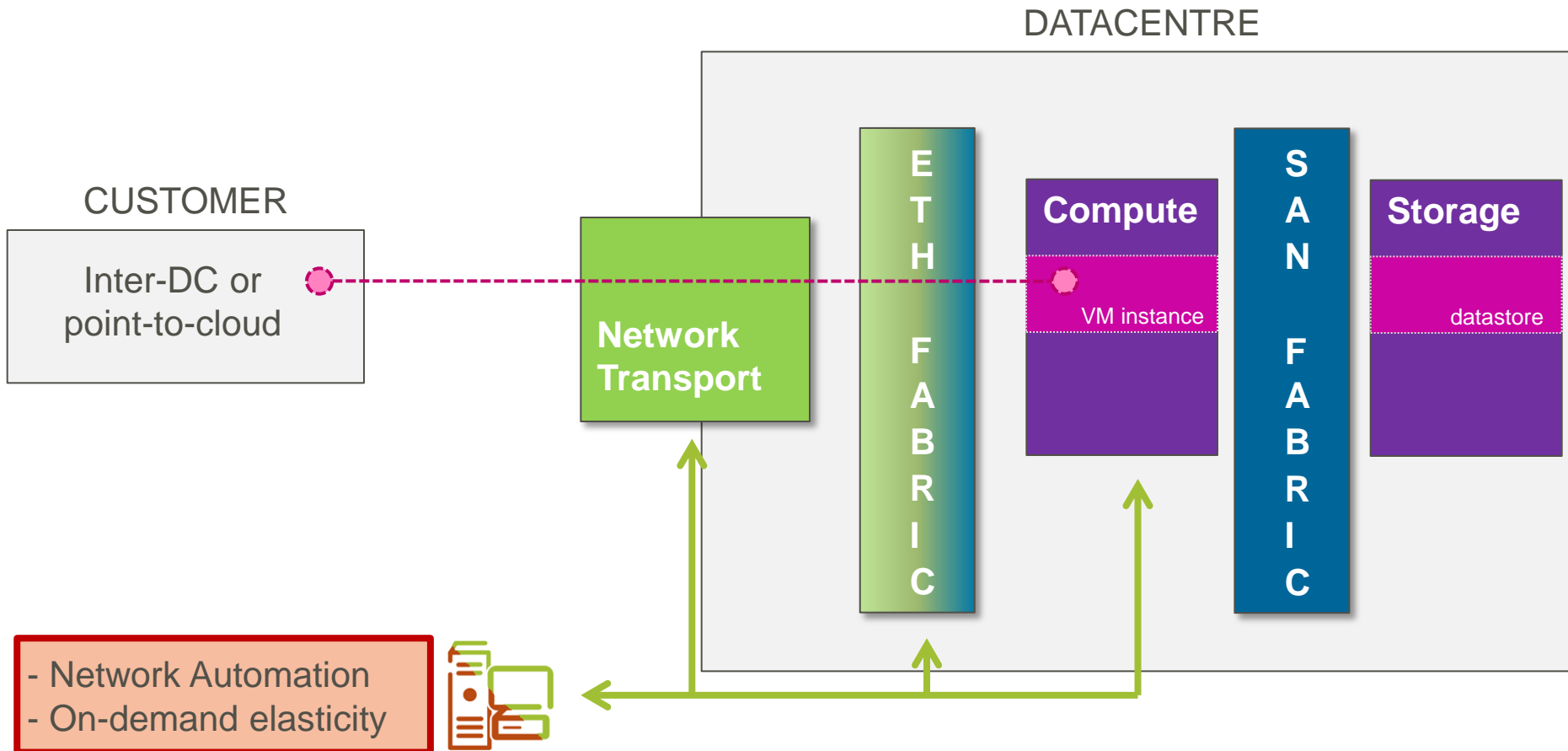
Network Layer Integration

Cloud Centric Network

Cloud Centric Network



Cloud Centric Network



Thank You ! Questions?

Nicolas Fischbach - Director, Network Strategy and Architecture

nico@colt.net

colt
smarter / faster / further

